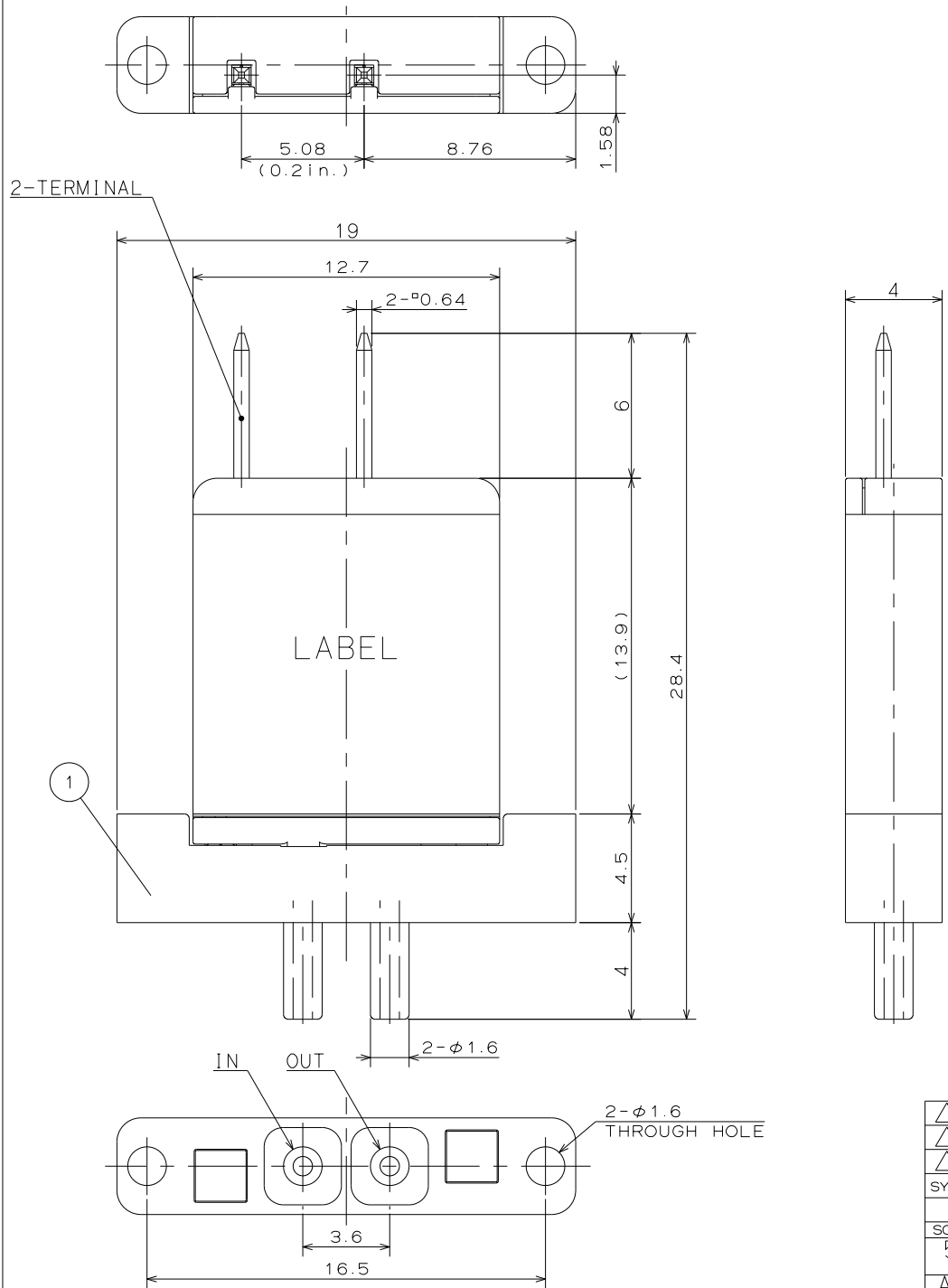


FOR REFERENCE ONLY



SHAPE MEMORY ALLOY VALVE

SPECIFICATIONS for MODEL SMV-2R-BN1F

- ORIFICE DIAMETER : 0.8mm
- PORT CONNECTION : HOSE BARB
- OPERATING PRESSURE RANGE : IN 0 ~ 100kPa
OUT 0 ~ 50kPa
- FLUID MEDIA : FLUIDS CHEMICALLY COMPATIBLE WITH MATERIALS BELOW
- MEDIA TEMPERATURE RANGE : 5 ~ 40°C
- AMBIENT TEMPERATURE RANGE : 5 ~ 40°C
- CURRENT : 250mA
- ELECTRIC RESISTANCE : 3 Ω ±10%
- POWER CONSUMPTION : Max.0.25W

NOTE
POWER SUPPLY BY A CONSTANT CURRENT CIRCUIT IS RECOMMENDED.

WETTED MATERIALS

△								
△								
△				2	DIAPHRAGM	FPM	1	
SYM.	DATE	DESCRIPTION	1	BODY	PPS	1		
REVISION			PART NO.	PART NAME	MATERIAL	REQD.	NOTE	
SCALE	APPROVED	CHECKED	DRAWN		DRAWING NO			
5/1			A 3		SHAPE MEMORY ALLOY VALVE SMV-2R-BN1F		14385-00-E	