

–PRELIMINARY–

- Very small footprint and size
- Precise flow rates
- Low power consumption
- Large pressure range

TECHNICAL DATA

Function	2/2 NC
Pneumatic connection	cartridge
Electrical connection	pins
Media type	hydrogen, air, oxygen, inert gases
Media quality	$\leq 10 \mu\text{m}$
Orifice	0.6 mm*
Operating pressure	0...8 bar(g)*
Max. flow (air @ 8 bar(g) @ 20 °C)	20 l _s /min \pm 1 l _s /min
Flow coefficient kv	up to 0.168 l/min
Flow coefficient Cv	up to 0.012 gallons/min
Temperature range, ambient	5 °C to 50 °C
Temperature range, media	5 °C to 50 °C
Temperature range, storage	-40 °C to 80 °C
Internal leakage @ p _{max}	< 1 ml/min
External leakage @ p _{max}	< 1 ml/min
Nominal coil resistance @ 20 °C	261 Ω
Nominal voltage	12 V*
Nominal power consumption @ 20 °C	max. 0.5 W
Duty cycle (without flow)	100 %
Weight	2.2 g
Mounting position	any direction

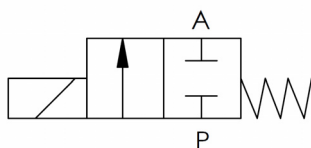
*Other versions upon request



MATERIALS IN CONTACT WITH MEDIUM

Metallic materials	1.4105, 1.4305, 1.4305
Seals	FKM

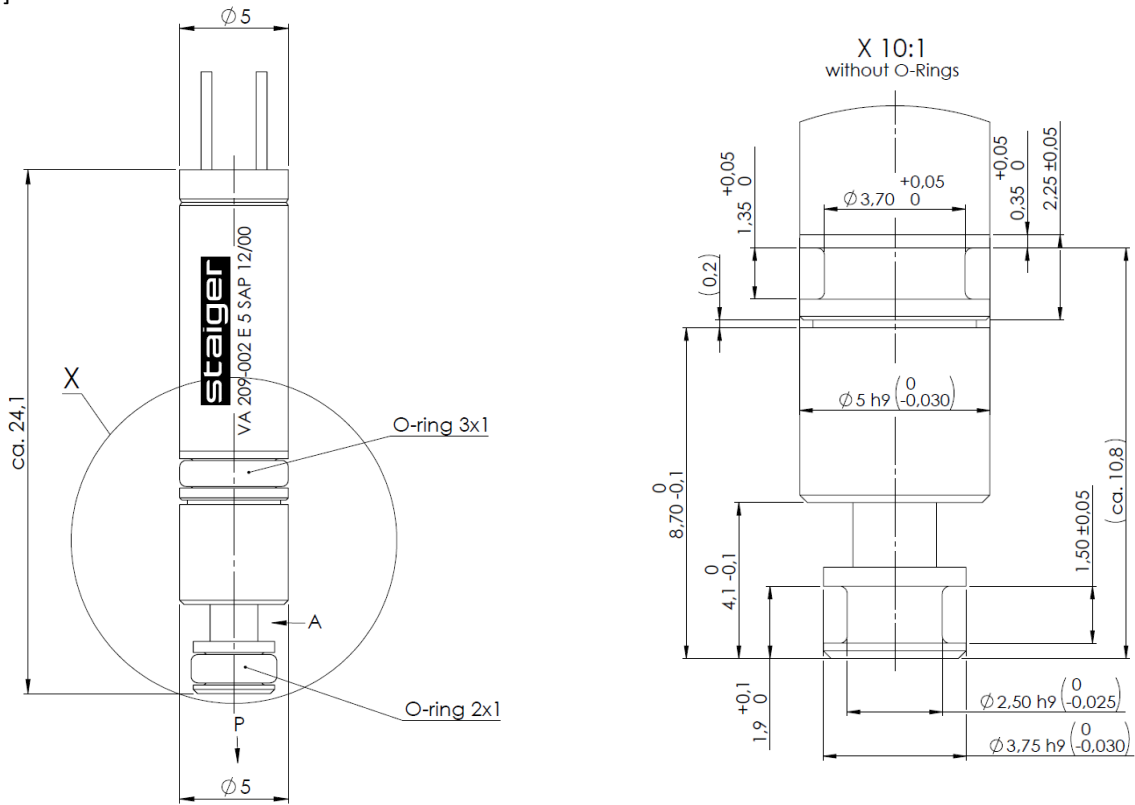
PNEUMATIC SYMBOL



–PRELIMINARY–

VALVE DIMENSIONS

[mm]



The technical information given describes the normal features of our products and do not constitute a warranty declaration. All values were determined under laboratory conditions and have to be verified by the customer for its specific purpose. Through continuous technical progress, all rights to changes and modification are reserved.

Status: February 2020