

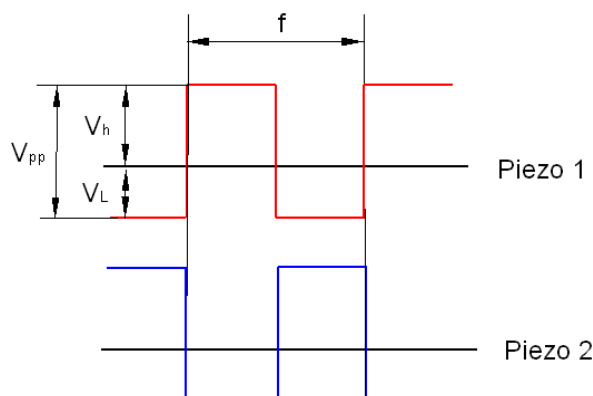
Additional Information

Electronic control requirements for mp6-series

The micropump mp6-liq, mp6-pi, mp6-pp and mp6-gas can be driven with alternating voltages at a maximum amplitude of 250 V and frequencies between 0 and 300 Hz.

A rectangular signal results in best fluidic performance while a sine wave minimizes the audible noise. As the pump contains two actuators, two signals with 180° phase shift need to be applied.

In any case both actuators must be connected to the controller with a 2.2k Ohm resistor in series. A single pump equals a capacitive load of 2 x 8 nF.



Maximum ratings:

Voltage amplitude V _{pp} :	250 V
Negative voltage V _L :	-50 V
Frequency:	300 Hz

(for use of higher frequencies please contact us)

If a pump gets damaged while using a customers controller we do not provide any warranty. For evaluation we recommend the use of our dedicated controllers. Based on the evaluation results we can develop a specific controller for your application.

All values are approximate and no guarantee of specific technical properties.

Changes in the course of technical progress are possible without notice.

Contact Data:

Bartels Mikrotechnik GmbH
Konrad-Adenauer-Allee 11
44263 Dortmund Germany
www.bartels-mikrotechnik.de
info@bartels-mikrotechnik.de
Tel: +49-231-47730-500
Fax: +49-231-47730-501

Visit our Website

www.bartels-mikrotechnik.de/downloads

for further information on applications.

Tutorials and helpful answers to frequently asked questions can be found in our FAQ

www.bartels-mikrotechnik.de/en/faq-english/

or on our YouTube channel

<https://www.youtube.com/user/BartelsMikrotechnik>

Find us on Social Media:

